



Seal Kits

311356A

To replace proportioning pump piston seal sets or cylinder seal sets used on Hydraulic Proportioners.



Important Safety Instructions

Read all warnings and instructions in proportioning pump manual 311391. Save these instructions.

Piston Seal Kits, see page 2


Cylinder Seal Kits for A-Side Pumps, see page 3


Cylinder Seal Kits for B-Side Pumps, see page 4

GRACO | GUSMER

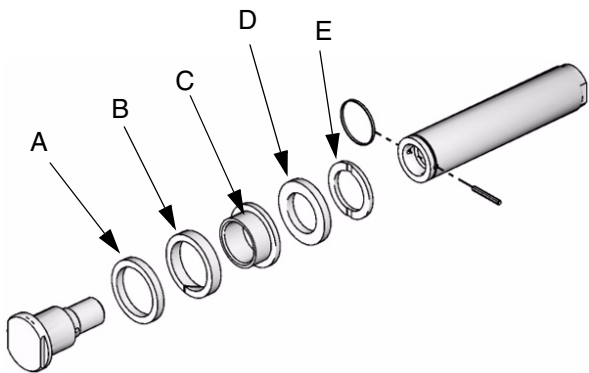
PROVEN QUALITY. LEADING TECHNOLOGY.

Piston Seal Kits, for A-Side and B-Side Pumps

 Parts with a checkmark (✓) in the following table are included in the kits.

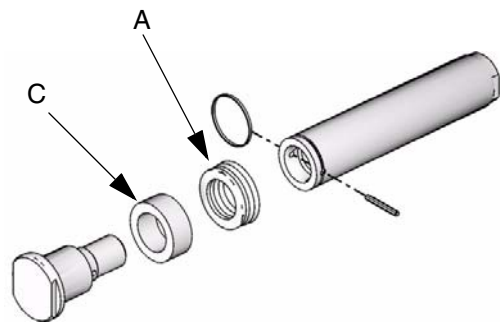
						
Before beginning, follow the Pressure Relief Procedure in proportioning pump manual 311391.						

Proportioning Pump Size	Kit Part No.	A (Piston Seal Wiper Ring)	B (Wear Ring)	C (Piston Seal Support)	D (Piston Seal)	E (Piston Support Washer)	Figure Ref.
28	296739	✓	✓	✓	✓		1
40	296740	✓	✓	✓	✓	295647	1
44	297845	✓	✓	✓	✓	297184	1
48	297846	✓	✓	✓	✓	295648	1
60	296741	✓	✓	✓	✓	295276	1
80	298013	✓		✓			2
88	297847	✓	✓	✓	✓	295278	1
96	297848	✓	✓	✓	✓	295279	1
104	296737	✓	✓	✓	✓	295284	1
112	297844	✓	✓	✓	✓	295285	1
120	298011	✓		✓			2



TI8047a


FIG. 1: Piston Seal Kit




TI8048a

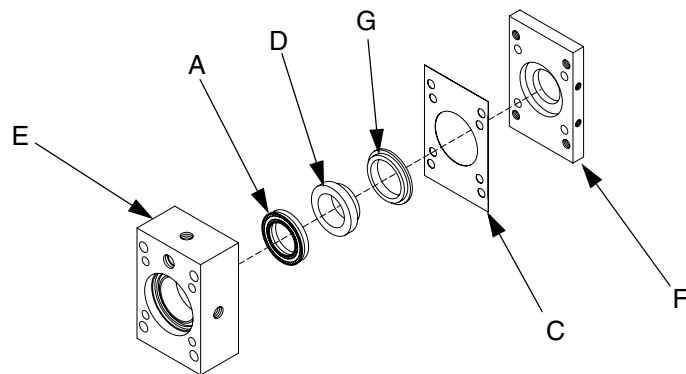
FIG. 2: Piston Seal Kit

Cylinder Seal Kits for A-Side Pumps


 Parts with a checkmark (✓) in the following table are included in the kits.


						
Before beginning, follow the Pressure Relief Procedure in proportioning pump manual 311391.						

Proportioning Pump Size	Kit Part No.	A (Cylinder Seal)	C (Gasket)	D (Bearing)	E (Outlet Flange; not included in kit)	F (Retainer Flange; not included in kit)	G (Adapter Ring; not included in kit)
30	297865	✓	✓	✓	295063	295159	297856
40	296767	✓	✓	✓	295064	295159	295243
48	297867	✓	✓	✓	295065	295159	297877
56	297868	✓	✓	✓		295159	297878
60	297869	✓	✓	✓	295066	295159	295244
80	298014	✓	✓	✓	295067	295159	297796
96	297871	✓	✓	✓	295069	295159	295247
104	296766	✓	✓	✓	295070	295159	295248
112	297864	✓	✓	✓	295071	295159	295249
120	298010	✓	✓	✓	295072	295159	297796

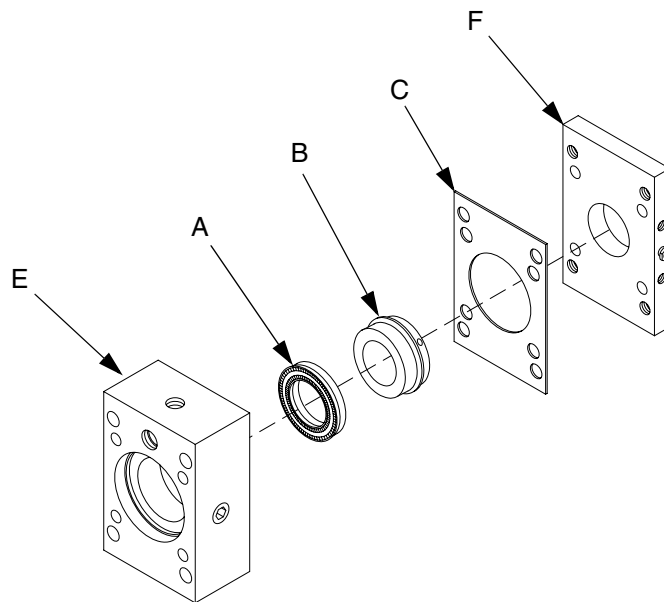


Cylinder Seal Kits for B-Side Pumps

 Parts with a checkmark (✓) in the following table are included in the kits.

						
Before beginning, follow the Pressure Relief Procedure in proportioning pump manual 311391.						

Proportioning Pump Size	Kit Part No.	A (Cylinder Seal)	B (Grease Bushing)	C (Gasket)	E (Outlet Flange; not included in kit)	F (Retainer Flange; not included in kit)
28	296746	✓	✓	✓	295142	295074
30	297850	✓	✓	✓	295063	295075
40	297115	✓	✓	✓	295064	295076
44	297851	✓	✓	✓	295073	295077
48	297852	✓	✓	✓	295065	295078
60	297853	✓	✓	✓	295066	295079
80	298015	✓	✓	✓	295067	295080
88	297854	✓	✓	✓	295068	295081
104	296744	✓	✓	✓	295070	295083
112	297849	✓	✓	✓	295071	295084
120	298009	✓	✓	✓	295072	295085



Graco Standard Warranty

Graco warrants all equipment referenced in this document which is manufactured by Graco and bearing its name to be free from defects in material and workmanship on the date of sale to the original purchaser for use. With the exception of any special, extended, or limited warranty published by Graco, Graco will, for a period of twelve months from the date of sale, repair or replace any part of the equipment determined by Graco to be defective. This warranty applies only when the equipment is installed, operated and maintained in accordance with Graco's written recommendations.

This warranty does not cover, and Graco shall not be liable for general wear and tear, or any malfunction, damage or wear caused by faulty installation, misapplication, abrasion, corrosion, inadequate or improper maintenance, negligence, accident, tampering, or substitution of non-Graco component parts. Nor shall Graco be liable for malfunction, damage or wear caused by the incompatibility of Graco equipment with structures, accessories, equipment or materials not supplied by Graco, or the improper design, manufacture, installation, operation or maintenance of structures, accessories, equipment or materials not supplied by Graco.

This warranty is conditioned upon the prepaid return of the equipment claimed to be defective to an authorized Graco distributor for verification of the claimed defect. If the claimed defect is verified, Graco will repair or replace free of charge any defective parts. The equipment will be returned to the original purchaser transportation prepaid. If inspection of the equipment does not disclose any defect in material or workmanship, repairs will be made at a reasonable charge, which charges may include the costs of parts, labor, and transportation.

THIS WARRANTY IS EXCLUSIVE, AND IS IN LIEU OF ANY OTHER WARRANTIES, EXPRESS OR IMPLIED, INCLUDING BUT NOT LIMITED TO WARRANTY OF MERCHANTABILITY OR WARRANTY OF FITNESS FOR A PARTICULAR PURPOSE.

Graco's sole obligation and buyer's sole remedy for any breach of warranty shall be as set forth above. The buyer agrees that no other remedy (including, but not limited to, incidental or consequential damages for lost profits, lost sales, injury to person or property, or any other incidental or consequential loss) shall be available. Any action for breach of warranty must be brought within two (2) years of the date of sale.

GRACO MAKES NO WARRANTY, AND DISCLAIMS ALL IMPLIED WARRANTIES OF MERCHANTABILITY AND FITNESS FOR A PARTICULAR PURPOSE, IN CONNECTION WITH ACCESSORIES, EQUIPMENT, MATERIALS OR COMPONENTS SOLD BUT NOT MANUFACTURED BY GRACO. These items sold, but not manufactured by Graco (such as electric motors, switches, hose, etc.), are subject to the warranty, if any, of their manufacturer. Graco will provide purchaser with reasonable assistance in making any claim for breach of these warranties.

In no event will Graco be liable for indirect, incidental, special or consequential damages resulting from Graco supplying equipment hereunder, or the furnishing, performance, or use of any products or other goods sold hereto, whether due to a breach of contract, breach of warranty, the negligence of Graco, or otherwise.

FOR GRACO CANADA CUSTOMERS

The Parties acknowledge that they have required that the present document, as well as all documents, notices and legal proceedings entered into, given or instituted pursuant hereto or relating directly or indirectly hereto, be drawn up in English. Les parties reconnaissent avoir convenu que la rédaction du présente document sera en Anglais, ainsi que tous documents, avis et procédures judiciaires exécutés, donnés ou intentés, à la suite de ou en rapport, directement ou indirectement, avec les procédures concernées.

Graco Information

TO PLACE AN ORDER, contact your Graco distributor or call to identify the nearest distributor.

Phone: 612-623-6921 **or Toll Free:** 1-800-328-0211 **Fax:** 612-378-3505

*All written and visual data contained in this document reflects the latest product information available at the time of publication.
Graco reserves the right to make changes at any time without notice.*

MM 311356

Graco Headquarters: Minneapolis
International Offices: Belgium, China, Japan, Korea

GRACO INC. P.O. BOX 1441 MINNEAPOLIS, MN 55440-1441

www.graco.com

Printed in USA 311356A

4/2006